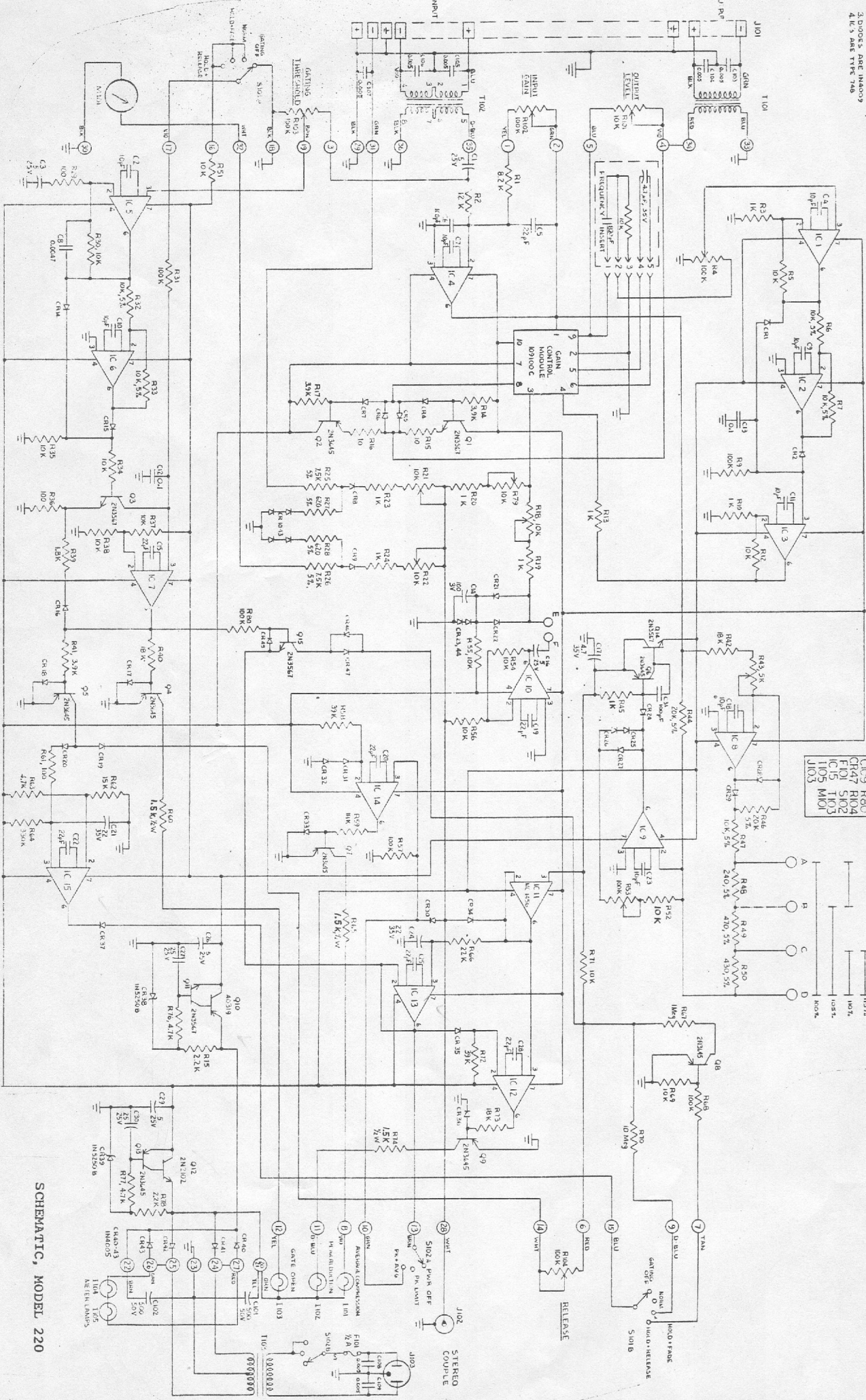
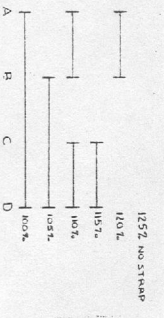


NOTES: UNLESS OTHERWISE SPECIFIED
 1. RESISTORS ARE $\frac{1}{2}$ WATT, VALUE IN OHMS
 2. CAPACITANCE VALUES IN P.F.
 3. DIODES ARE IN4007
 4. I.C.'S ARE TYPE 74C



LIST USED

IC 1	74C01
IC 2	74C02
IC 3	74C03
IC 4	74C04
IC 5	74C05
IC 6	74C06
IC 7	74C07
IC 8	74C08
IC 9	74C09
IC 10	74C10
IC 11	74C11
IC 12	74C12
IC 13	74C13
IC 14	74C14
IC 15	74C15



SCHEMATIC, MODEL 220

1252, NO. 37460